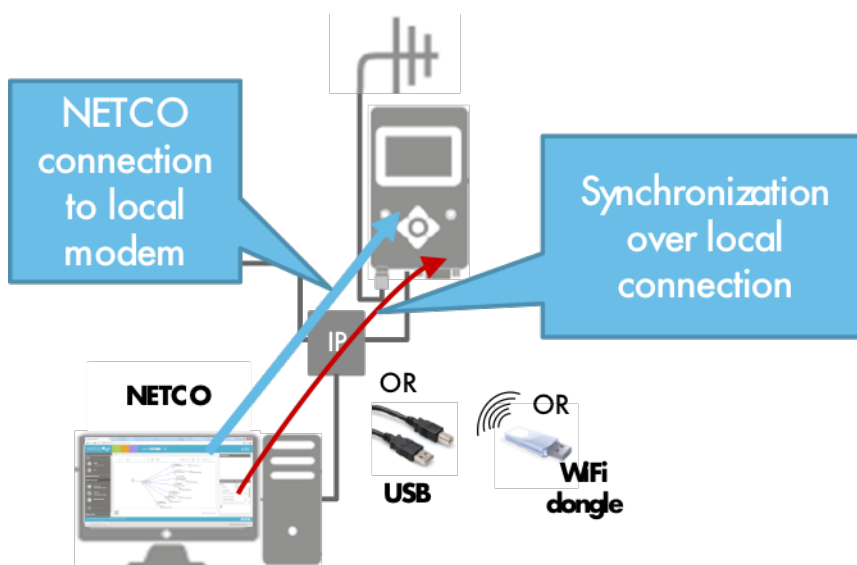


NETCO: SATEL Network Configuration tool

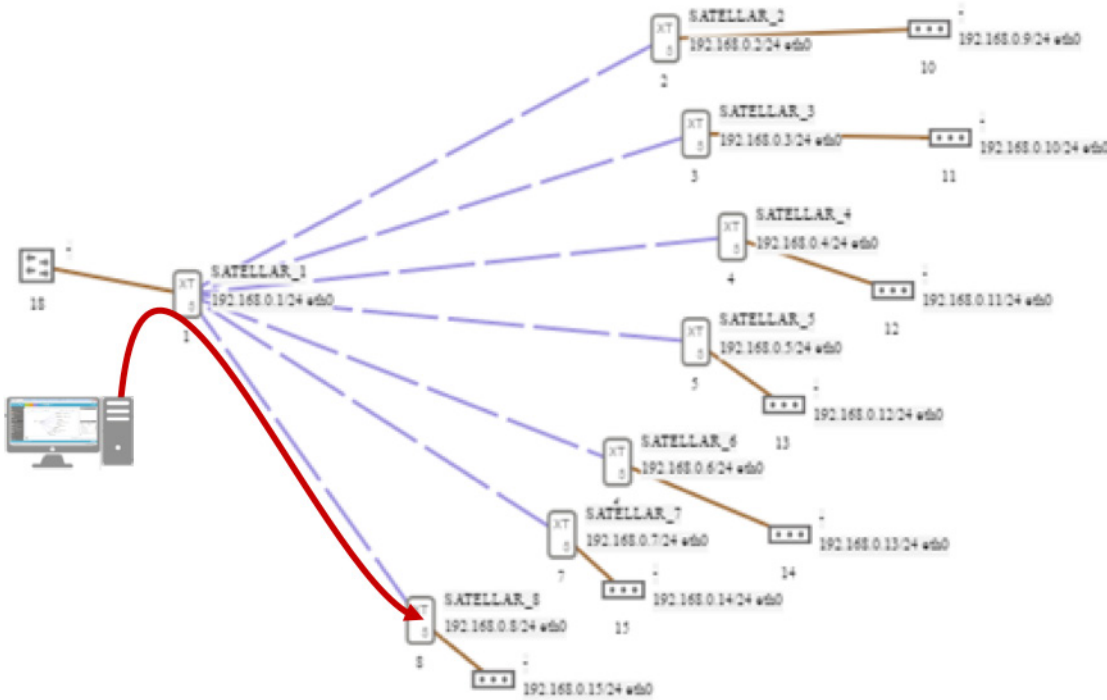
NETCO is a WEB browser and Database based design tool for creating SATEL radio modem networks. It enables easy, quick and error-free design of the network topology, routing and modem parameters. User can draw the topology and give certain set of parameters for the network. Based on this, the NETCO assist does the rest: it calculates related radio modem settings, such as IP addressing and routing parameters automatically.

The screenshot displays the NETCO web interface in a browser window. The main area shows a network topology diagram with nodes labeled 'SATELLAR_1' through 'SATELLAR_8' and various IP addresses. The interface includes a left sidebar with tools like 'Select', 'Move', and 'Add node', and a right sidebar with 'Network #6 settings - Network6' configuration options. The browser address bar shows 'localhost:8080/netco/network.html#'. The SATEL logo is visible in the bottom right corner.

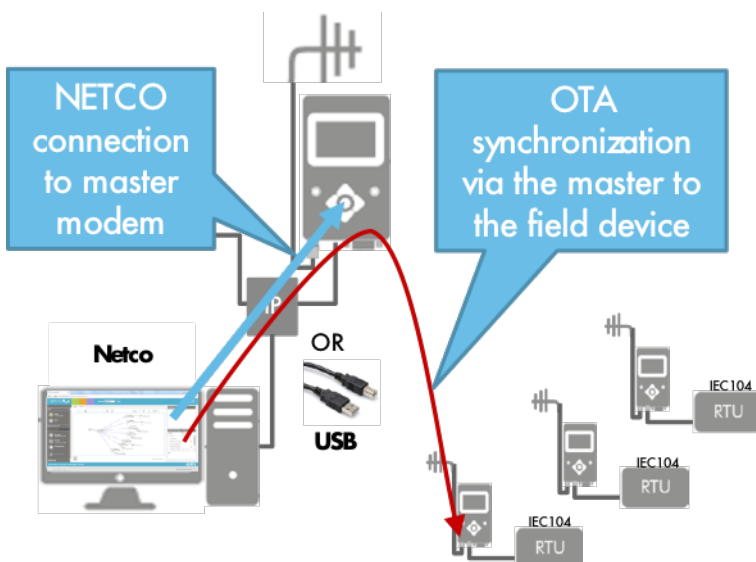
After the design process, NETCO provides a synchronization functionality to transfer modem settings from the NETCO to the radio modems one-by-one. Synchronization can be done locally over IP connection or over a USB cable. Local synchronization is often the case for the first time installation, after receiving the modem from the factory.



Furthermore, the devices can be synchronized over the air, for example after the device has been installed on the field. This is the scenario for example, if some parameters are altered after the initial configuration and installation.



For the over the air (OTA), or field synchronization, NETCO software is first connected in a local manner to the master SATELLAR, and then the synchronization is forwarded by the master modem to the correct target device on the field. This also sets the requirement, that basic radio connectivity must be available i.e. the first synchronization of the devices has already been done.



NETCO allows design, configuration and management of the multiple networks within the same NETCO System. All configured and calculated settings are stored to local database, and can be exported and imported to file as well.

In addition to quick and easy configuration, and thus, savings in time, one of the main benefits of using the NETCO is reliability. Manual configuration operation one modem at a time is error prone and in worst case can lead to lastly and complex troubleshooting and error location procedures. On the contrary, when the configuration is done with NETCO and its assist functionality, modem configuration will be error free and radio modem communications are enabled at once.

Refer to NETCO user guide for more accurate information. Up to date NETCO user guide is always available at the NETCO user interface.

NETCO summary

1. Easy and centralized configuration
 - Significant savings, upto 80%
 - Best User experience
 - Error-free network commissioning
2. Automated calculation of network parameters by an assist
3. Network configuration database
4. Import and export settings
5. Synchronize settings to modem
 - Over the air to the field
 - At the office
 - IP connection or USB cable